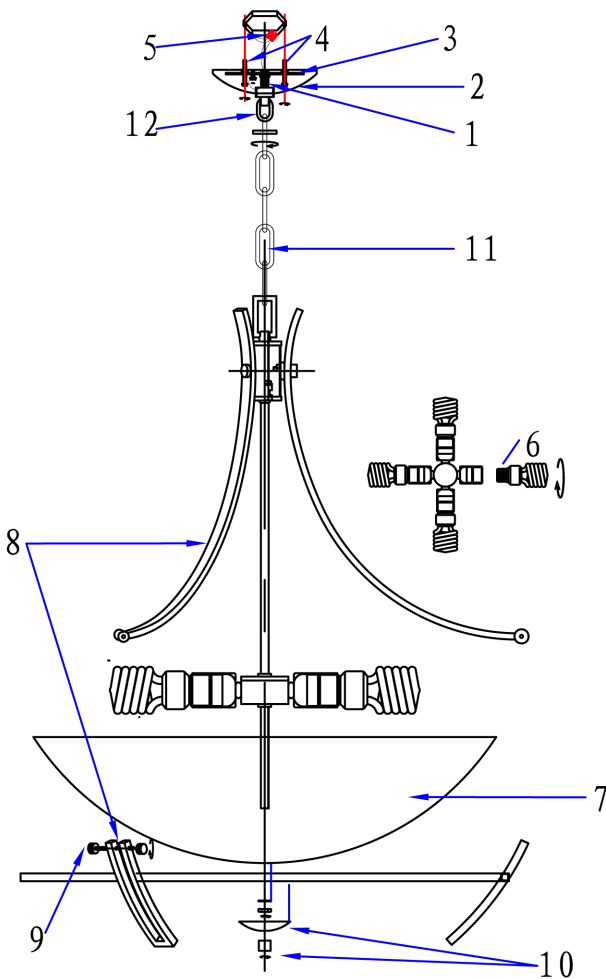


PLC LIGHTING

14866 & 14869

INSTALLATION INSTRUCTIONS:



1. Ensure mains supply is switched off.
2. Screw the metal part (1) through the canopy (2).
3. Fit bracket(3) onto mounting surface with self-tapping screws (4)
4. Make the wiring connections: Using wire connectors (5), connect the house white wire(s) to the fixture white(or ribbed) lead(s); connect the house black(or red) wire to the fixture black (or smooth)lead(s). Make sure that there are no exposed wires or stands,and that the connections are secured.
5. Fit bulbs (6) firmly into lampholders.
6. Fix the glass shade (7) with metal arms (8) with screws(9).
7. Attach the final & washer & nuts (10) to glass shade for securing.
8. Open chain link(11) and attach the fixture to hook(12).

WARNING:

- Electricity supply required 110-120v 60 htz alternating current.
- Use only the correct light bulbs as stipulated on the luminaries .
- Disconnect the power and allow fitting cool down before cleaning or changing bulb(s).
- If any malfunction occurs , switch of mains and contact a qualified electrician .
- Do not modify this unit in any manner.