

# ASSEMBLY INSTRUCTION

## Model# 2922BK

**ATTENTION:**

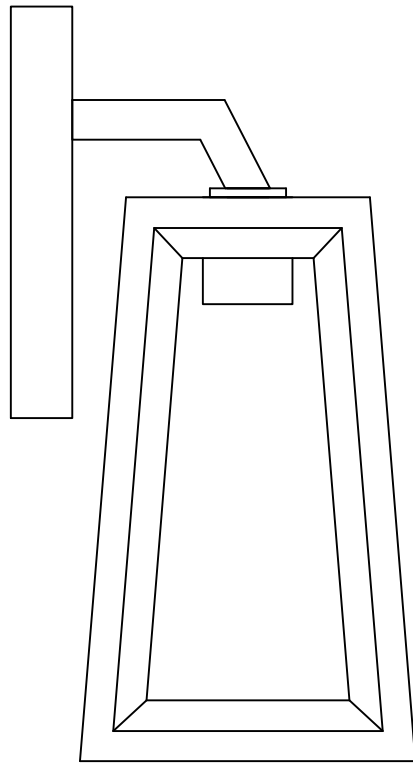
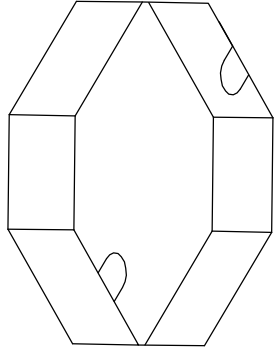
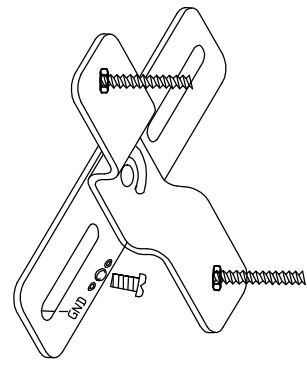

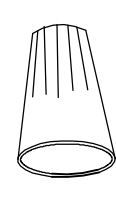
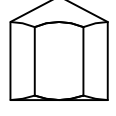

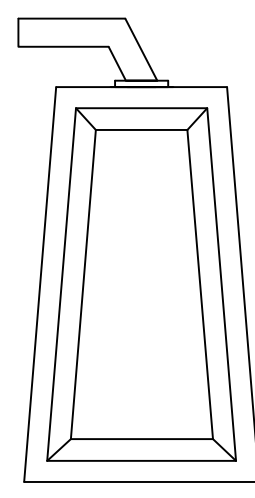
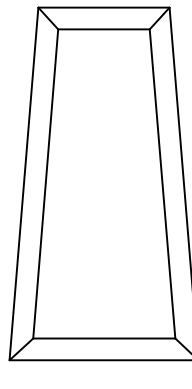
FIXTURE INSTALLATION MUST BE DONE BY LICENSED ELECTRICIAN.

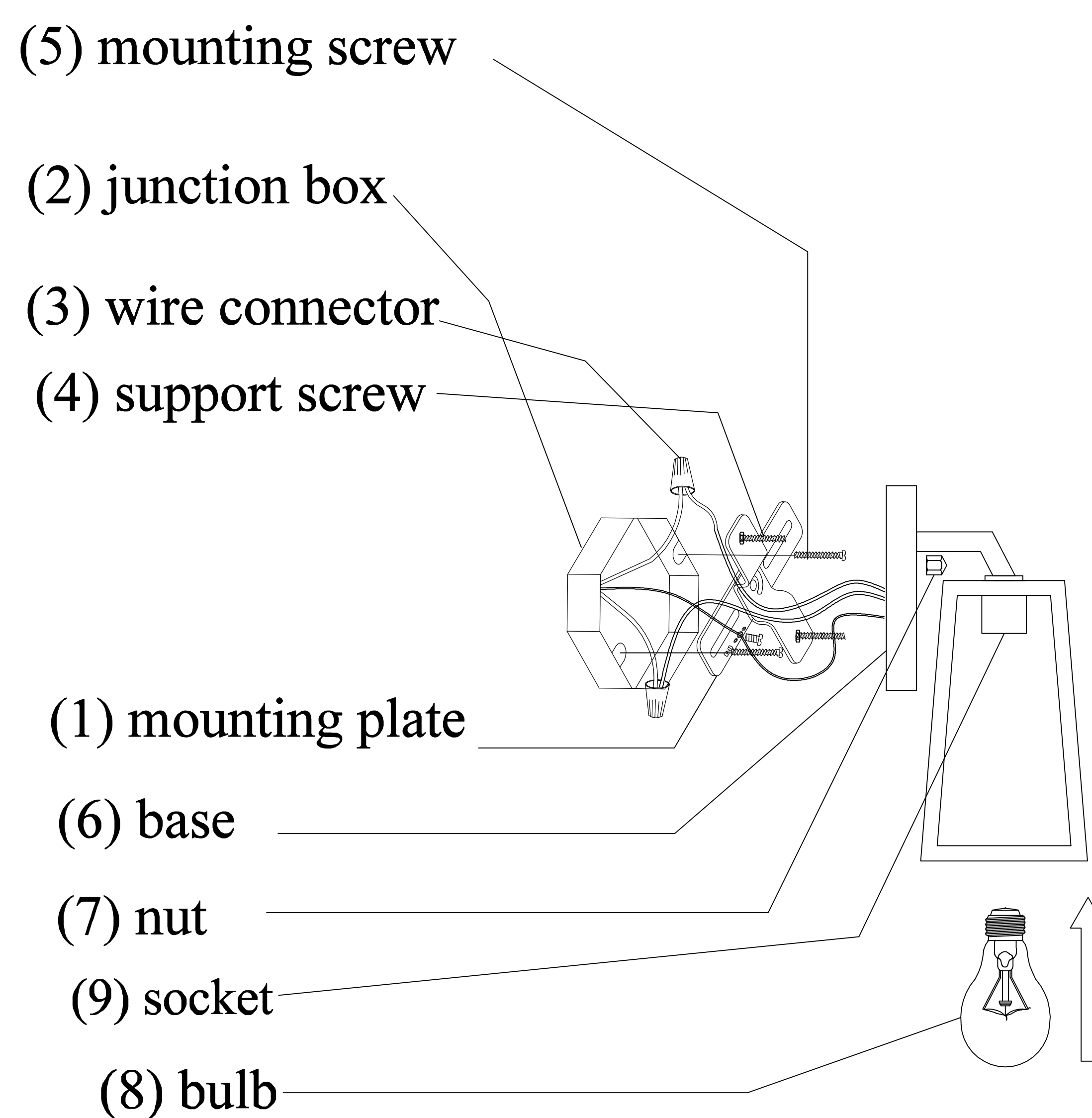
SHUT OFF POWER SUPPLY AT FUSE OR CIRCUIT BREAKER.

USE ONLY THE SPECIFIED BULBS AND DO NOT EXCEED THE MAXIMUM WATTAGE.

**BEFORE YOU INSTALL:**

1. Check the fixture frame for any physical damage
2. Check all parts and crystals to ensure they are not damaged or missing
3. Test all sockets with a bulb for conductivity before "dressing" the fixture
4. If there is any problem, please do not install the fixture, please contact the vendor and solve the problem first.

	 <p>not included no incluido non inclus</p> <p><b>X1</b></p>	 <p><b>X1</b></p>	 <p><b>X2</b></p>	 <p><b>X3</b></p>	 <p><b>X2</b></p>
	 <p><b>X1</b></p>	 <p><b>X1</b></p>	 <p><b>X4</b></p>		



Please turn off power to the outlet and review instructions before installation. The installation must be handled by a qualified licensed electrician. Also, be sure to turn off power before changing the bulb or cleaning the fixture.

1. Open the nut(7) to the base(6)
2. Attach the support screw (4) to the mounting plate (1)
3. Fix the mounting plate (1) to the junction box (2) by using the mounting screw (5) (junction box not included)
4. Connect the wire by using the wire connector (3). (Note: Connect the black wire to the black (Live) , the white wire to the white(Neutral), and the ground wire to the ground post). Please pay attention to avoid the wire exposing outside when wiring connections.
5. Fix the base (6) to the mounting plate (1) by using nut (7).
6. Insert the bulb (8)to socket(9). (bulb not included)