

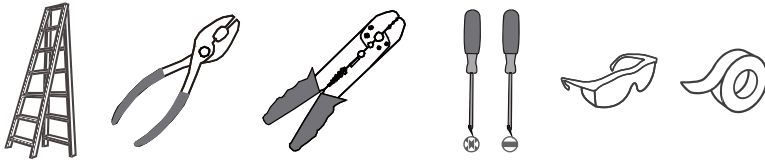
SAFETY INFORMATION

Please read and understand this entire manual before attempting to assemble, install or operate the product.

WARNING

- RISK OF ELECTRIC SHOCK - Before beginning installation, turn off electricity at the circuit breaker box or the main fuse box.
- **CAUTION**
- For your safety, read instructions completely before beginning installation.
- If in doubt about electrical installation, consult a licensed electrician.
- **TOOLS REQUIRED**

Ratings	120-277Vac, 60Hz	
	Model No.	Wattage
	QFL6787BRG	25W
	QFL6787MBK	25W
	QFL6787BN	25W

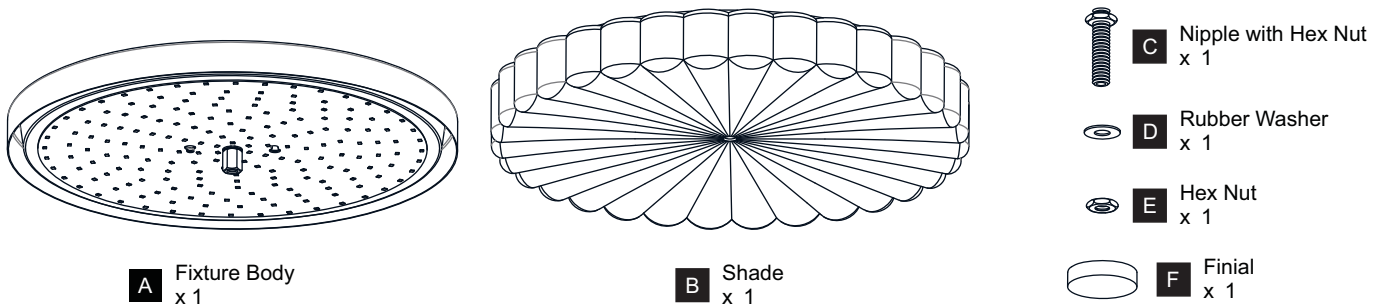


CARE AND MAINTENANCE

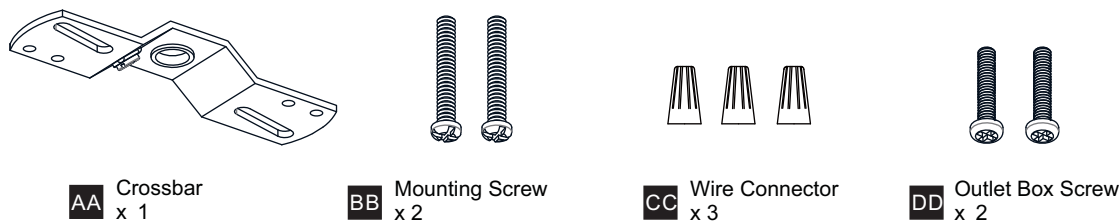
- Wipe clean using soft, dry cloth or static duster. Always avoid using harsh chemicals and abrasives to clean fixture as they may damage the finish.

If you need further assistance call Quoizel Customer Care at 1-800-645-3184 (9:00am - 5:00pm EST), or visit us on-line at www.quoizel.com.

PACKAGE CONTENTS



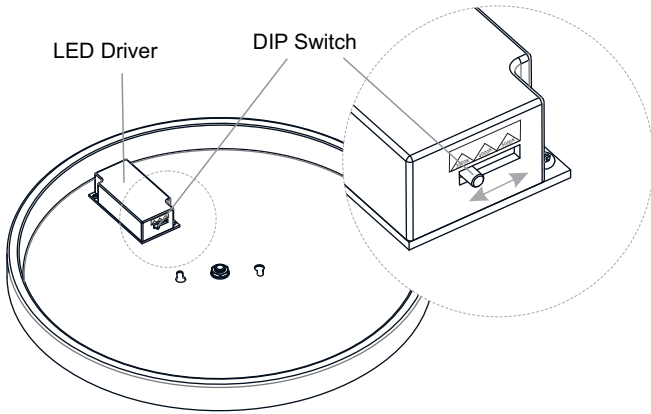
MOUNTING HARDWARE



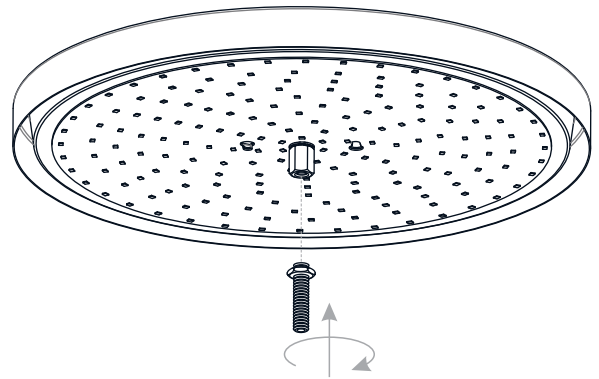
INSTALLATION

1 Adjust Color Temperature

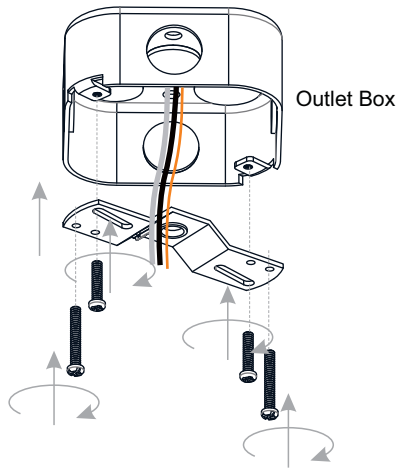
To adjust the color temperature among 3000K-4000K-5000K by using the DIP switch on the side of the LED driver.



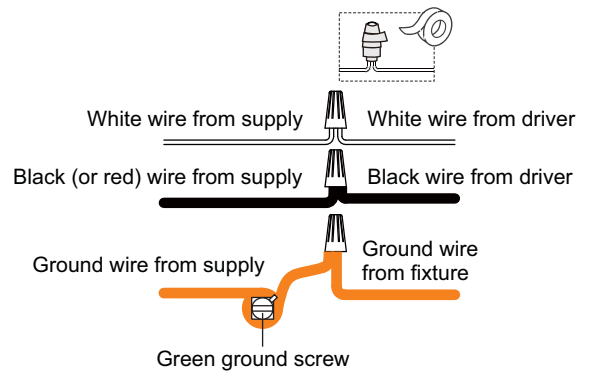
2 Install Nipple



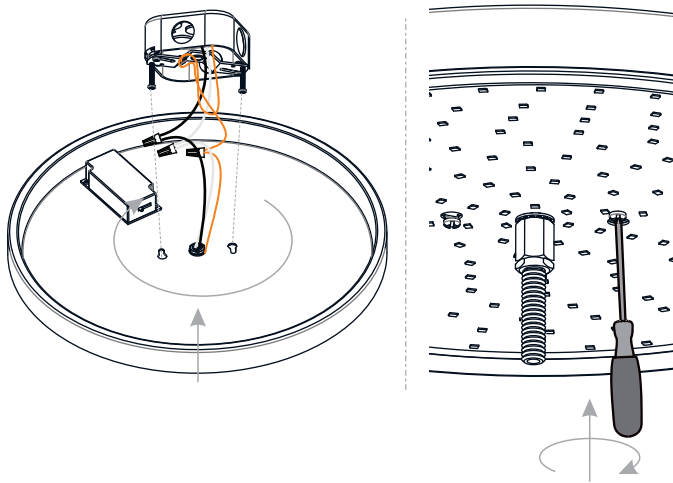
3 Install Crossbar



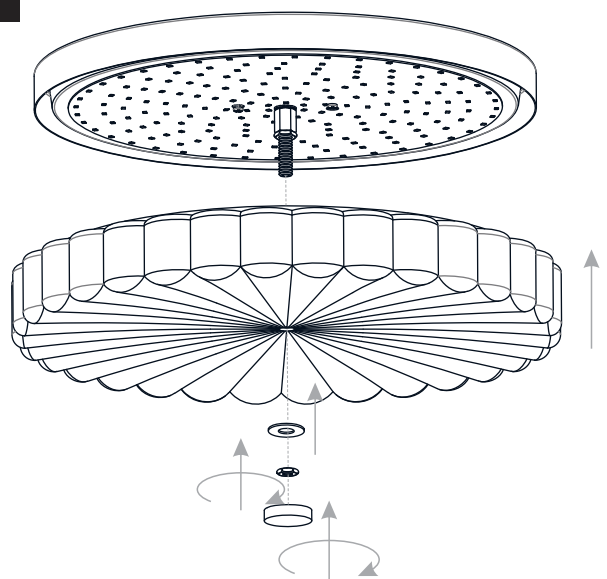
4 Wiring



5 Install Fixture Body to Crossbar



6 Install Shade



Your installation is now complete! Restore electricity and save this sheet for future reference.